

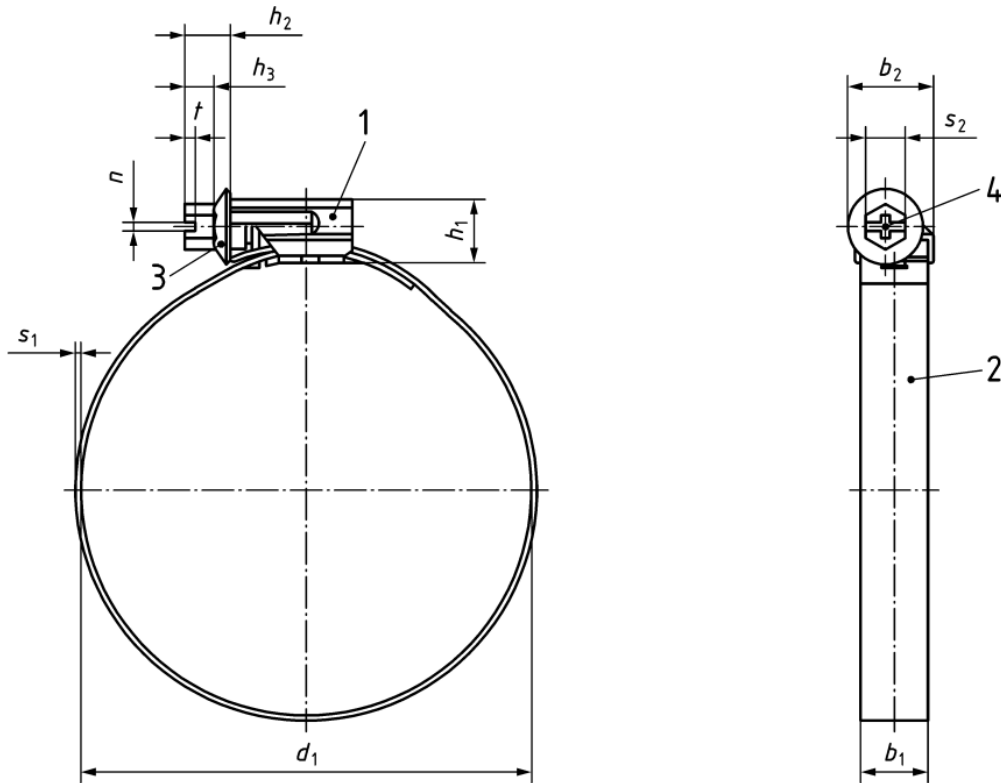
- 1 Alloggiamento vite    2 Nastro                      3 Testa della vite            4 Forma della testa
- 1 Screw Housing        2 Tape                        3 Screw Head                4 Screw head shapes

Nastro / Tape 9 mm ±1

Misure serrabili Clamping range	Spessore del nastro Tape Thickness	Alloggiamento Housing		Testa della vite Screw Head				
		$b_1$ max.	$h_1$ max.	$h_2$ $\pm 1$	$h_3$ min.	$n$ +0,31 +0,06	$s_2$ h13	$t$ $\pm 0,3$
8 to 12	0,4 to 0,8	14	14	8	4	1,2	6 or 7	1,6
10 to 16								
12 to 18								
12 to 18	0,5 to 1,0						7	
12 to 22								
20 to 32								
25 to 40								
30 to 45								
35 to 50								
40 to 60								
50 to 70								
60 to 80								
70 to 90								
80 to 100								
90 to 110								
100 to 120								
110 to 130								
120 to 140								
130 to 150								
140 to 160								

disponibili in [AISI304/W4](#) e [AISI316/W5](#)  
available in [AISI304/W4](#) and [AISI316/W5](#)

Viti in acciaio inossidabile, sottoposte ad un ulteriore trattamento di zincatura (CR+3), per una maggior presa sul nastro.  
Stainless Steel screws, submitted to a further galvanizing treatment (zinc plated CR+3) for greater grip on the tape.



- 1 Alloggiamento vite    2 Nastro                      3 Testa della vite                      4 Forma della testa  
1 Screw Housing        2 Tape                                  3 Screw Head                          4 Screw head shapes

Misure serrabili Clamping range	Spessore del nastro Tape Thickness	Nastro / Tape 12 mm ±2		Alloggiamento Housing					Testa della vite Screw Head		
		$d_1$	$s_1$	$b_1$ max.	$h_1$ max.	$h_2$ ±1	$h_3$ min.	$n$ +0,31 +0,06	$s_2$ h13	$t$ ±0,3	
12 to 22	0,5 to 1,0										
16 to 27											
20 to 32											
25 to 40											
30 to 45											
35 to 50											
40 to 60											
50 to 70											
60 to 80											
70 to 90											
80 to 100											
90 to 110											
100 to 120											
110 to 130											
120 to 140											
130 to 150											
140 to 160											
		20	16	8	4	1,2	7 or 8	1,6			

disponibili in [AISI304/W4](#) e [AISI316/W5](#)  
available [AISI304/W4](#) and [AISI316/W5](#)

Viti in acciaio inossidabile, sottoposte ad un ulteriore trattamento di zincatura (CR+3), per una maggior presa sul nastro.  
Stainless Steel screws, submitted to a further galvanizing treatment (zinc plated CR+3) for greater grip on the tape.